

FMD Pro 2.0

Portable Ferromagnetic Mobile Phone and Metal Detection System



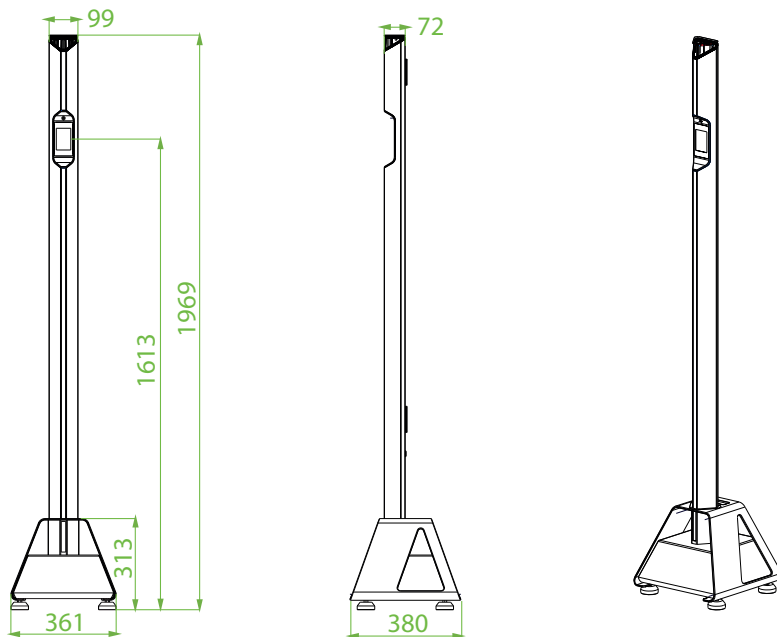
Features

- Micro-processor technology with high scanning rate, 50 people can be screened per minute
- Digital signal processing and filtering system ensures an excellent anti-interference ability
- Excellent detection capability, up to 100 sensitivity levels
- Three zones targeting indication identifies location of contraband on the body
- Mobile with wheels base
- Wifi communication for 3rd party remote monitoring capabilities
- Relay for access control and alarm activation
- Detection radius up to 1 meters
- Lightweight and simple installation
- Magnetic object detection including mobile phones
- Ingress protection of IPX5, suitable for most outdoor enclosures
- 28-hour continuous operation with embedded battery
- 100% safe to humans, including pregnant women and people who have medical implants

Specifications

Working Temperature	-10°C ~ +50°C
Storage Temperature	-35°C ~ +70°C
Working Humidity	0 ~ 95% (non-condensing)
Ingress Protection	IPX5
Input Voltage	15V
Working Current	260mA
Working Power	3.9W
Embedded Rechargeable Battery	28h of continuous operation with 8h battery charge
Battery Capacity	10000mAh
Material	Aluminum Alloy
Sensitivity Level	100
Alarm Zone	3 zones
Alarm Levels	0 - 10 levels
Alarm Ring	6 kinds
Touch Screen Size	3.5-inch
Speed of Throughput	50 people per minute
Dimension (L*W*H)	361 * 380 * 1969 (mm)

Dimensions (mm)



V1.0.2022.05.16